



PRESSURE

**P2P Technology**

**SPT Family  
Flameproof Enclosure Pressure Transducers  
PMP-S122.04-ExD**

**Datasheet**

- For use in hazardous areas
- Single piece construction of the sensing element with stainless steel
- Measuring cell is free from welded seams
- No O-Rings, high overload and burst pressure capability
- Fast startup time (< 5 ms)
- Low power consumption: (< 10 mA) by sensors with voltage output
- Wide operating temperature range
- Low static and thermal errors
- Compatible with a wide range of liquids and gases
- High grade of EMI/RFI protection grade
- Wide variety of pressure ranges

**MAIN FEATURE**

- **Pressure ranges\***: from 10 bar to 1.000 bar
- **Mechanical connections\***: 1/2-14 NPT; 1/4 NPT other on request
- **Electrical connections\***: conduit fitting 1/2 NPT M with cable
- **Wetted parts**: stainless steel 1.4404 (316L)
- **Accuracy**: +/- 0,5 % BFUL for > 50 MPa/7200 psi at 25 °C
- **Approved for hazardous areas:**



**Class I Division 1 Groups A, B, C, D explosion proof**  
**Class II Division 1 Groups E, F, G ignition proof**  
**UL/FM Class I Zone 1 Group IIC**  
**Ex db IIC T5 Gb, Zone 21 Aex tb IIIC T100**  
**Factory sealed according to FM3615**  
**CSA Master Contract file: 267726**  
**CSA Report file: 8015 0806**

**APPLICATION**



**INDUSTRIAL EQUIPMENT**  
 Test stands, CNC equipment,  
 Presses, Panel instrumentation



**OIL & GAS EQUIPMENT**  
 Platforms and pipelines,  
 Well optimization



**MARINE & OFFSHORE**  
 Engines, Hydraulic, Fluidhandling



**HYDROGEN INDUSTRY**  
 CNG / hydrogen compression  
 and storage



**DRILLING & MINING**  
 In cold climates



When creating these transmitter, we used a new type of two-chip technology (P2P Technology - our patented development), which enables the highest demands on robustness and performance such as stability, vibration, and shock resistance.

# TECHNICAL SPECIFICATIONS

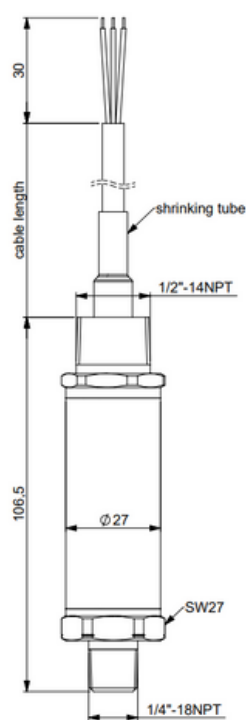
PERFORMANCE CHARACTERISTICS											
Pressure ranges (in bar) *											
Nominal pressure	10	16	25	40	60	100	160	250	400	600	900
Over pressure	20	32	50	80	120	200	320	500	800	1200	1400
Burst pressure	50	75	100	200	250	500	750	1000	1400	1800	2000
Pressure ranges (in psi) *											
Nominal pressure	150	250	360	600	900	1500	2500	3600	6000	9000	15000
Over pressure	300	500	720	1200	1800	3000	5000	7200	12000	18000	30000
Burst pressure	750	1125	1500	3000	3750	7500	11250	15000	21000	27000	30000
Accuracy (25°C)	+/- 0,5 % BFSL for > 50 MPa/7200 psi at 25 °C										
Overall accuracy (- 5°C... 85°C)	+/- 1,5 % FS										
Overall accuracy (< - 5°C and > 85°C)	+/- 3 %										
Stability (1 year)	+/- 0,25 % full scale (typical)										
Maximum working pressure	1000 bar\15000 psi										
Pressure cycles	> 100 million										
ENVIRONMENTAL DATA											
Ambient temperatur range	- 40 °C ... 85 °C (-40 °F ... 185 °F)										
Storage temperature range	- 40 °C to 105 °C (- 40 °F ... 221 °F)										
Media temperature range	- 40 °C to 100 °C (- 40 °F ... 212 °F)										
Humidity	0 ... 100 % r. h., non condensing										
Area of application	0 ... 2000 m/ 0...6000 ft above sea level										
Shock protection	1000 g to EN/IEC 60068-2-27										
Vibration	20 g / 3 axes to EN/IEC 60068-2-6										
EMI/RFI emission	EN 61326-1:2013										
	EN 61326-2-3:2013										
EMI/RFI susceptibility	EN 61326-1:2013										
	EN 61326-2-3:2013										
Dielectric strength	300 V DC										
Protection grade/type rating	IP68 / 3R										
Material of wetted parts	1.4404 (316L); Hastelloy or Inconel on request										
Casing material	1.4301 or 1.4404										
ELECTRICAL DATA											
Output signal	4 ... 20 mA	0/1 ... 5 V DC; 0/1 ... 6 V DC; 0/1 ... 10 V DC						0,5 ... 4,5 V DC ratiometric			
Supply voltage (DC)	10 ... 27 V DC	6 ... 27 V DC (Vout x ... 5 V) 8 ... 27 V DC (Vout x ... 6 V) 12 ... 27 V DC (Vout x ... 10 V)						5 V DC +/- 5 %			
Load resistance	< (Vcc-10 V)/20 mA	> 5 kOhm						> 2,5 kOhm			
Current consumption	3,6 ... 21,4 mA	7 mA typ.						7 mA typ.			
Response time	< 5 ms	< 2 ms						< 2 ms			
Zero offset	< 1 % of FS	< 1 % of FS						< 1 % of FS			
Span tolerance	< 2 % of FS	< 1,5 % of FS						< 1,5 % of FS			
Reverse and overvoltage protection	yes										

CONNECTION VERSIONS	
Electrical connection	conduit fitting ½ NPT M with cable Standard length: 2/4/10/15 ft. or 0,6/1,2/3/4,5 m
Process connections (standard)	1/2" NPT male 1/4" NPT male others upon request
Tightening torque	25 Nm
OUTLINE DIMENSIONS	
Hex wrench size	27 mm (1 1/16")
Casing diameter	27 mm (1 1/16")
Over all case length	max. 110 mm (4.35")

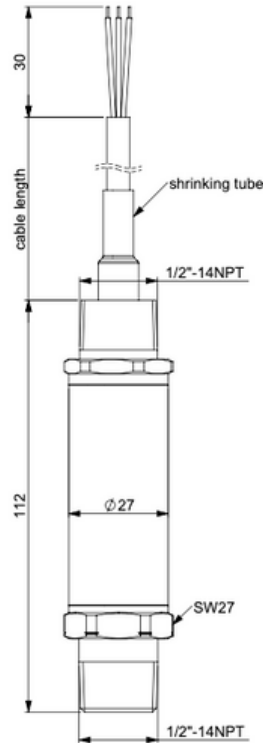
\* other on request

## PRODUCT CONSTRUCTION

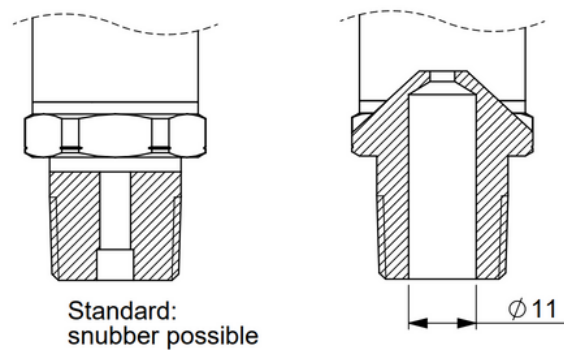
1/4" NPT male



1/2" NPT male



Optional process connections for 1/2-14 NPT



Before installation and operation, ensure that the appropriate pressure sensor has been selected in terms of pressure range, design and specific measuring conditions. Non compliance can result in serious injury and/or damage to the equipment.

**WARNING:** Prignitz Mikrosystemtechnik reserve the right to modify their products without notice to customers. It is imperative that we should be consulted over any particular use or application of our products and it is the responsibility of the buyer to establish, particularly through all the appropriate testes, that the product is suitable for the use or application. Under no circumstances will our warranty apply, nor shall we be held responsible for any application (such as any modification, addition, deletion, use in conjunction with other electrical or electronic components, circuits or assemblies, or any other unsuitable material or substance) which has not been expressly agreed by us prior to the sale of our products.

## APPROVALS CERTIFICATE

CE Compliance: EMC directive 2014 / 30 / EU according in EN 61326-2-3

RoHS guideline: 2011/65/EU

Approved according to the European Directive EC79/2009

PRIGNITZ-Mikrosystemtechnik GmbH is certified acc. to ISO 9001. We offer a multitude of products compliant with ATEX, IECEx, CSA, and other worldwide relevant qualifications.



## DISMOUNTING, RETURN AND DISPOSAL

### Dismounting

Physical injuries and damage to property and the environment caused by hazardous media Upon contact with hazardous media (e.g. oxygen, acetylene, flammable or toxic substances), harmful media (e.g. corrosive, toxic, carcinogenic, radioactive), and also with refrigeration plants and compressors, there is a danger of physical injuries and damage to property and the environment.

- Should a failure occur, aggressive media with extremely high temperature and under high pressure or vacuum may be present at the instrument.
- Wear the requisite protective equipment.

### Dismounting the instrument

- Depressurise and de-energise the pressure transmitter.
- Disconnect the electrical connection.
- Unscrew the pressure transmitter with a spanner using the spanner flats.

### Return

Strictly observe the following when shipping the instrument:

All instruments delivered to Prignitz Mikrosystemtechnik must be free from any kind of hazardous substances (acids, bases, solutions, etc.) and must therefore be cleaned before being returned.

## TRANSPORT, PACKAGING AND STORAGE

### Transport

Check the pressure transmitter for any damage that may have been caused during transportation. Obvious damage must be reported immediately.

### Packaging and storage

Do not remove packaging until just before mounting.

Keep the packaging as it will provide optimum protection during transport (e.g. change in installation site, sending for repair).

Recommended conditions at the place of storage:

- - 40 °C to 105 °C (- 40 °F ... 221 °F)

## CUSTOMIZED SOLUTIONS

An indisputable advantage of the products from Prignitz Mikrosystemtechnik is that in addition to the specified parameters, a variety of specific customer requests can be implemented:

- other process and electrical connections available in a wide range of options
- analog output signals can be customized upon request.

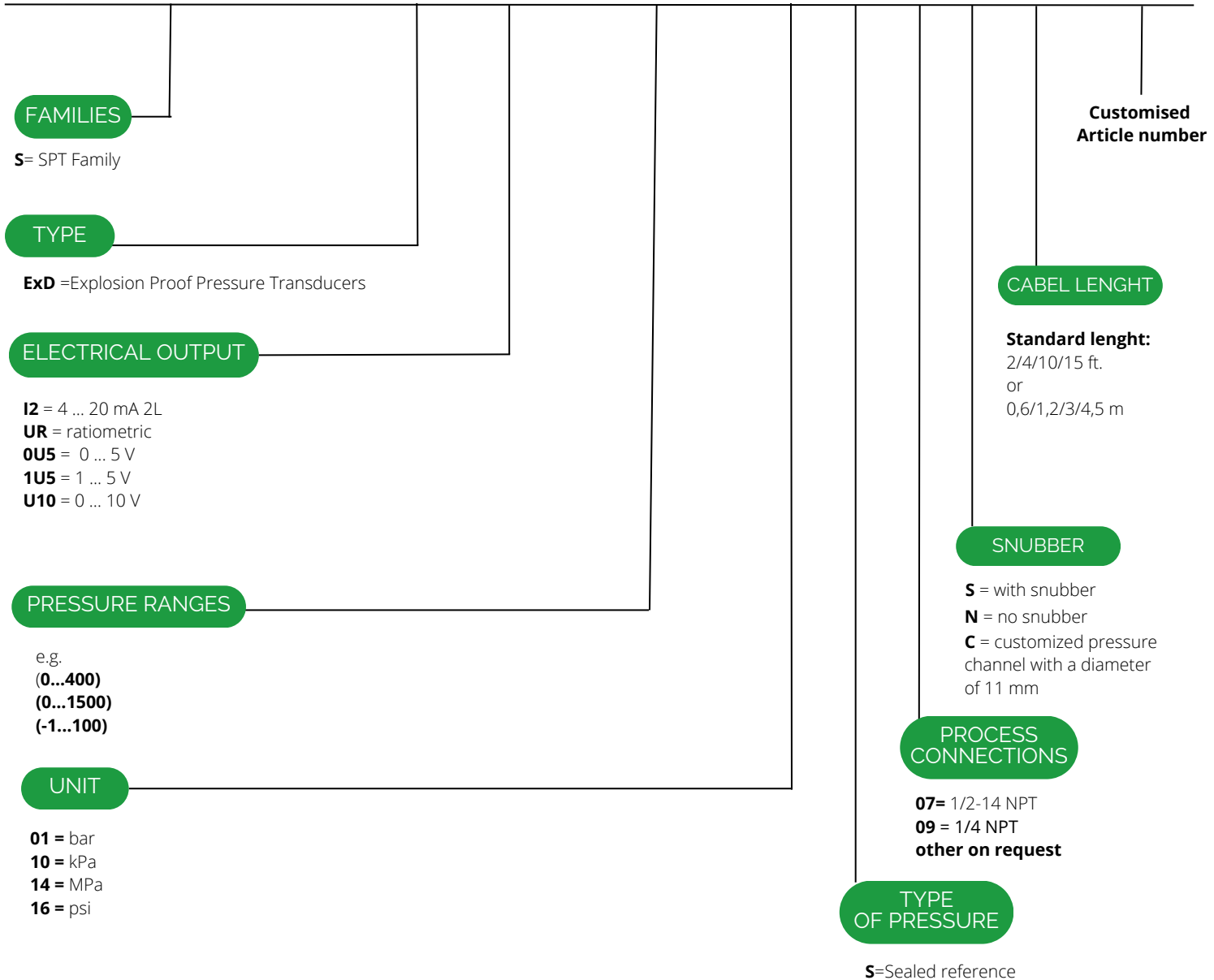
Feel free to ask us. We are ready to implement individual solutions for you.

Edition version: D/S-122.04-ExD/Rev.2/18July.2023/ENG

# HOW TO ORDER

\* Please add the special configuration at the end of the order text  
 e.g. pressure ports radius 10 mm

## PMP-S122.04-ExD-XX-(XX..XX)-XX-X-XXX-XX-XXX\*

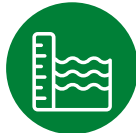


# PRIGNITZ

## MIKROSYSTEMTECHNIK



PRESSURE



LEVEL



TEMPERATURE



CALIBRATION &  
SERVICE

© 2023 PRIGNITZ Mikrosystemtechnik GmbH  
All rights reserved. / Alle Rechte vorbehalten.

### CONTACTS:

Tel.: **+49 (0) 38 77 / 5 67 46-0**

Fax: **+49 (0) 38 77 / 5 67 46-18**

Margarethenstraße 61  
19322 Wittenberge / Elbe  
Germany

**[info@prignitz-mst.de](mailto:info@prignitz-mst.de)**